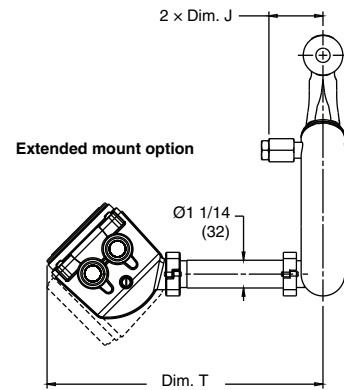
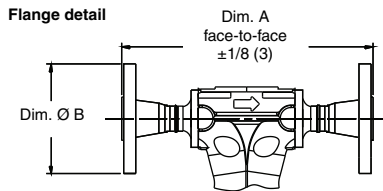
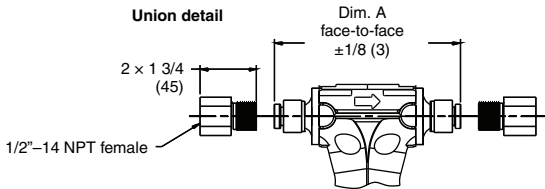
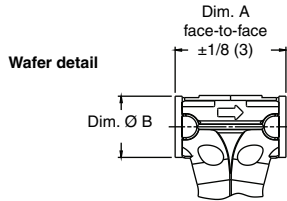
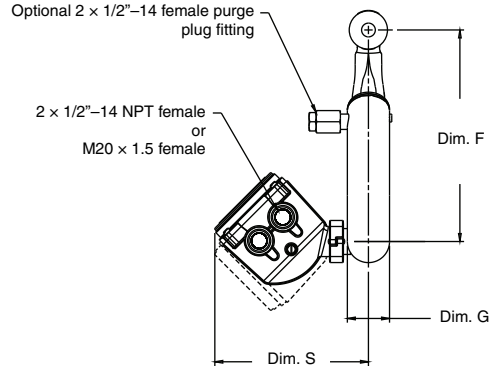
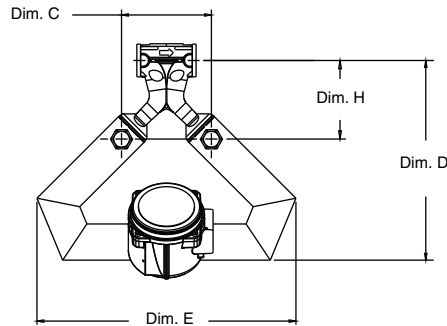


Dimensions

Models CMF025, CMF050, and CMF100

Dimensions in inches
(mm)

Flow →



Dimensions⁽¹⁾

Model	C	D	E	F	G	H	J	S ⁽²⁾	T ⁽²⁾
CMF025	2 13/16 (72)	8 1/4 (209)	10 (255)	7 7/16 (188)	1 5/8 (41)	3 5/16 (85)	2 1/4 (58)	7 1/16 – 7 9/16 (179 – 192)	12 1/2 – 12 13/16 (318 – 325)
CMF050	5 (126)	11 1/16 (280)	14 5/16 (364)	10 1/16 (255)	2 (51)	4 3/8 (111)	2 1/2 (63)	7 5/16 – 7 9/16 (185 – 192)	12 11/16 – 12 3/4 (322 – 324)
CMF100	5 15/16 (150)	15 15/16 (405)	21 1/2 (546)	14 1/8 (360)	3 9/16 (91)	5 3/8 (136)	3 5/16 (83)	8 – 8 3/8 (204 – 213)	13 3/8 – 13 5/8 (340 – 346)

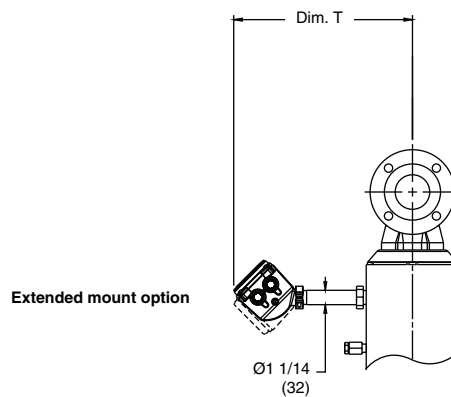
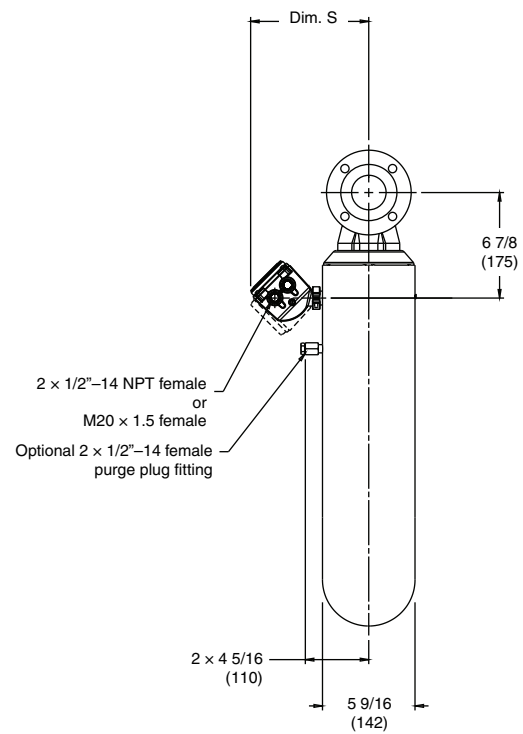
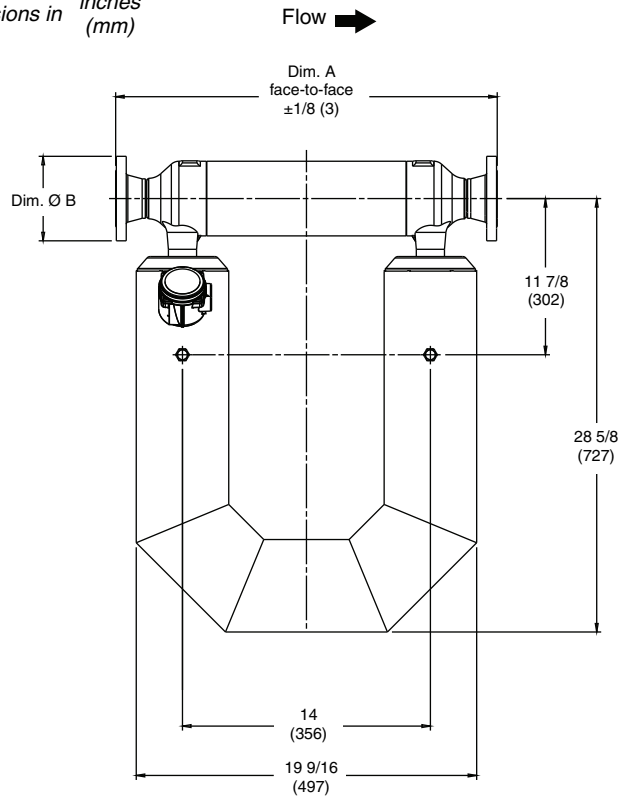
(1) For dimensions A and B, see fittings tables on pages 16–20.

(2) Dimensions S and T will vary depending on transmitter material option.

Dimensions *continued*

Model CMF200

Dimensions in inches
(mm)



Model	Dimensions ⁽¹⁾	
	S ⁽²⁾	T ⁽²⁾
CMF200	9 1/8 – 9 7/16 (232 – 239)	14 1/2 – 14 5/8 (368 – 372)

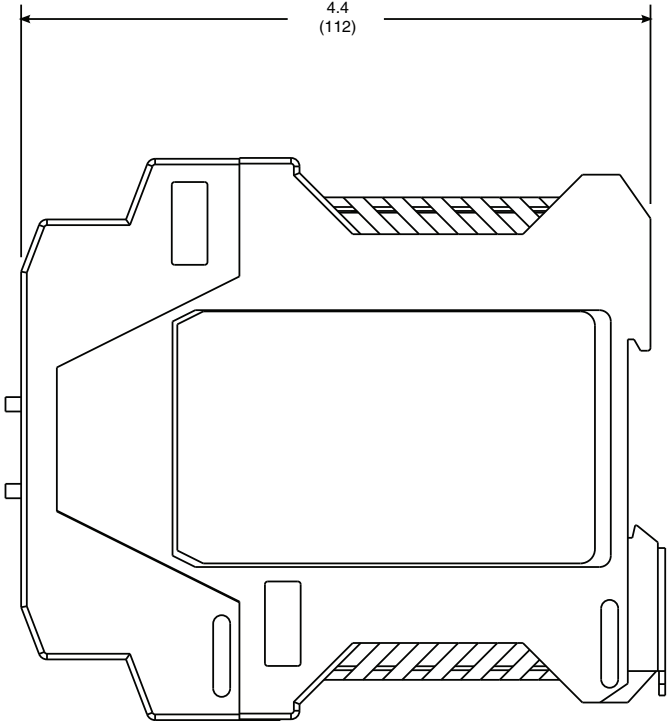
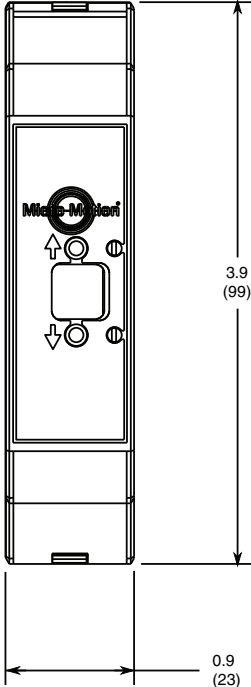
(1) For dimensions A and B, see fittings tables on pages 16–20.

(2) Dimensions S and T will vary depending on transmitter material option.

Dimensions *continued*

Adapter-barrier

Dimensions in inches (mm)



Fitting options

	Fitting code	Dim. A face-to-face inches (mm)	Dim. B outside diameter inches (mm)
CMF025 fitting options⁽¹⁾			
<i>316L stainless steel sensors</i>			
Wafer style; 1/2-inch ANSI (150 lb; 300 lb; 600 lb bolt kit)	009	2 3/8 (60)	1 13/16 (46)
Wafer style, 15mm DIN 2526; type C face (PN40 bolt kit)	016	2 3/8 (60)	1 13/16 (46)
Wafer style; 15mm DIN 2512; type N grooved face (PN40 bolt kit)	017	2 3/8 (60)	1 13/16 (46)
Wafer style; 15mm DIN 2526; type E face (PN100 bolt kit)	018	2 3/8 (60)	1 13/16 (46)
Wafer style; 15mm DIN 2512; type N grooved face (PN100 bolt kit)	019	2 3/8 (60)	1 13/16 (46)
Wafer style; 15mm; standard JIS facing (10K; 20K bolt kit)	029	2 3/8 (60)	1 13/16 (46)
1/2-inch ANSI CL150 weld neck raised face flange	313	6 3/4 (172)	3 1/2 (89)
1/2-inch ANSI CL300 weld neck raised face flange	314	7 1/8 (181)	3 3/4 (95)
1/2-inch ANSI CL600 weld neck raised face flange	315	7 5/8 (194)	3 3/4 (95)
1/2-inch NPT female Swagelok size 8 VCO fitting	319	4 11/16 (119)	—
1/2-inch sanitary fitting (Tri-Clamp compatible)	321	4 11/16 (119)	1 (25)
DN15 PN40 weld neck flange; DIN 2635 type C face	300	6 5/16 (160)	3 3/4 (95)
DN15 PN40 weld neck flange; EN 1092-1 Form B1	176	6 5/16 (160)	3 3/4 (95)
DN15 PN40 weld neck flange; DIN 2635 type N grooved face	301	6 5/16 (160)	3 3/4 (95)
DN15 PN40 weld neck flange; EN 1092-1 Form D	310	6 5/16 (160)	3 3/4 (95)
DN15 PN100 weld neck flange; DIN 2637 type E face	302	6 15/16 (176)	4 1/8 (105)
DN15 PN100 weld neck flange; EN 1092-1 Form B2	177	6 15/16 (176)	4 1/8 (105)
DN15 PN100 weld neck flange; DIN 2637 type N grooved face	303	6 15/16 (176)	4 1/8 (105)
DN15 PN100 weld neck flange; EN 1092-1 Form D	178	6 15/16 (176)	4 1/8 (105)
DN25 PN40 weld neck flange; EN 1092-1 Form B1	172	6 7/16 (164)	4 1/2 (115)
DN25 PN40 weld neck flange; EN 1092-1 Form D	183	6 7/16 (164)	4 1/2 (115)
JIS 15mm 10K weld neck raised face flange	304	6 1/8 (156)	3 3/4 (95)
JIS 15mm 20K weld neck raised face flange	305	6 1/8 (156)	3 3/4 (95)
<i>304L stainless steel sensors</i>			
1/2-inch ANSI CL150 weld neck raised face flange	413	6 3/4 (172)	3 1/2 (89)
1/2-inch ANSI CL300 weld neck raised face flange	414	7 1/8 (181)	3 3/4 (95)
DN15 PN40 weld neck flange; DIN 2526 type C face	423	6 5/16 (160)	3 3/4 (95)
DN15 PN40 weld neck flange; EN 1092-1 Form B1	421	6 5/16 (160)	3 3/4 (95)
<i>Nickel alloy sensors</i>			
1/2-inch ANSI CL150 lap joint flange	520	6 3/4 (172)	3 1/2 (89)
1/2-inch ANSI CL300 lap joint flange	521	7 1/8 (181)	3 3/4 (95)
DN15 PN40 lap joint flange; DIN 2656 type C face	523	7 5/16 (186)	3 3/4 (95)
DN15 PN40 lap joint flange; EN 1092-1 Form B1	524	7 5/16 (186)	3 3/4 (95)
JIS 15mm 10K lap joint flange	522	7 1/8 (181)	3 3/4 (95)

(1) Fittings listed here are standard options. Other types of fittings are available. The face to face dimensions for any custom fittings ordered using a 998 or 999 fitting code are not represented in this table. It is necessary to confirm face to face dimensions of these fittings at time of ordering. Contact your local Micro Motion representative.

Fitting options *continued*

	Fitting code	Dim. A face-to-face inches (mm)	Dim. B outside diameter inches (mm)
CMF050 fitting options⁽¹⁾			
<i>316L stainless steel sensors</i>			
Wafer style; 1/2-inch ANSI (150 lb; 300 lb; 600 lb bolt kit)	009	3 1/2 (89)	1 13/16 (46)
Wafer style; 15mm DIN 2526; type C face (PN40 bolt kit)	016	3 1/2 (89)	1 13/16 (46)
Wafer style; 15mm DIN 2512; type N grooved face (PN40 bolt kit)	017	3 1/2 (89)	1 13/16 (46)
Wafer style; 15mm DIN 2526; type E face (PN100 bolt kit)	018	3 1/2 (89)	1 13/16 (46)
Wafer style; 15mm DIN 2512; type N grooved face (PN100 bolt kit)	019	3 1/2 (89)	1 13/16 (46)
Wafer style; 15mm; standard JIS facing (10K; 20K bolt kit)	029	3 1/2 (89)	1 13/16 (46)
1/2-inch ANSI CL150 weld neck raised face flange	313	7 15/16 (202)	3 1/2 (89)
1/2-inch ANSI CL300 weld neck raised face flange	314	8 5/16 (211)	3 3/4 (95)
1/2-inch ANSI CL600 weld neck raised face flange	315	8 13/16 (224)	3 3/4 (95)
3/4-inch NPT female Swagelok size 12 VCO fitting	320	6 1/2 (165)	—
3/4-inch sanitary fitting (Tri-Clamp compatible)	322	6 1/2 (165)	1 (25)
DN15 PN40 weld neck flange; DIN 2635 type C face	300	7 1/2 (191)	3 3/4 (95)
DN15 PN40 weld neck flange; EN 1092-1 Form B1	176	7 1/2 (191)	3 3/4 (95)
DN15 PN40 weld neck flange; DIN 2635 type N grooved face	301	7 1/2 (191)	3 3/4 (95)
DN15 PN40 weld neck flange; EN 1092-1 Form D	310	7 1/2 (191)	3 3/4 (95)
DN15 PN100 weld neck flange; DIN 2637 type E face	302	8 1/16 (205)	4 1/8 (105)
DN15 PN100 weld neck flange; EN 1092-1 Form B2	177	8 1/16 (205)	4 1/8 (105)
DN15 PN100 weld neck flange; DIN 2637 type N grooved face	303	8 1/16 (205)	4 1/8 (105)
DN15 PN100 weld neck flange; EN 1092-1 Form D	178	8 1/16 (205)	4 1/8 (105)
DN25 PN40 weld neck flange; EN 1092-1 Form B1	172	7 11/16 (195)	4 1/2 (115)
DN25 PN40 weld neck flange; EN 1092-1 Form D	183	7 11/16 (195)	4 1/2 (115)
JIS 15mm 10K weld neck raised face flange	304	7 1/4 (184)	3 3/4 (95)
JIS 15mm 20K weld neck raised face flange	305	7 1/4 (184)	3 3/4 (95)
<i>304L stainless steel sensors</i>			
1/2-inch ANSI CL150 weld neck raised face flange	413	7 15/16 (202)	3 1/2 (89)
1/2-inch ANSI CL300 weld neck raised face flange	414	8 5/16 (211)	3 3/4 (95)
DN15 PN40 weld neck flange; DIN 2526 type C face	423	7 1/2 (191)	3 3/4 (95)
DN15 PN40 weld neck flange; EN 1092-1 Form B1	421	7 1/2 (191)	3 3/4 (95)
<i>Nickel alloy sensors</i>			
1/2-inch ANSI CL150 lap joint flange	520	7 15/16 (202)	3 1/2 (89)
1/2-inch ANSI CL300 lap joint flange	521	8 5/16 (211)	3 3/4 (95)
DN15 PN40 lap joint flange; DIN 2656 type C face	523	8 1/2 (216)	3 3/4 (95)
DN15 PN40 lap joint flange; EN 1092-1 Form B1	524	8 1/2 (216)	3 3/4 (95)
JIS 15mm 10K lap joint flange	522	8 1/4 (210)	3 3/4 (95)

(1) Fittings listed here are standard options. Other types of fittings are available. The face to face dimensions for any custom fittings ordered using a 998 or 999 fitting code are not represented in this table. It is necessary to confirm face to face dimensions of these fittings at time of ordering. Contact your local Micro Motion representative.

Fitting options *continued*

	Fitting code	Dim. A face-to-face inches (mm)	Dim. B outside diameter inches (mm)
CMF100 fitting options⁽¹⁾			
<i>316L stainless steel sensors</i>			
Wafer style; 1-inch ANSI (150 lb bolt kit)	010	4 (102)	2 1/2 (64)
Wafer style; 1-inch ANSI (300 lb; 600 lb bolt kit)	011	4 (102)	2 1/2 (64)
Wafer style; 25mm type C face (PN40 bolt kit)	020	4 (102)	2 1/2 (64)
Wafer style; 25mm DIN 2512 type N grooved face (PN40 bolt kit)	021	4 (102)	2 1/2 (64)
Wafer style; 25mm type E face (PN100 bolt kit)	022	4 (102)	2 1/2 (64)
Wafer style; 25mm DIN 2512; type N grooved face (PN100 bolt kit)	023	4 (102)	2 1/2 (64)
Wafer style; 25mm; standard JIS face (10K; 20K; 30K bolt kit)	030	4 (102)	2 1/2 (64)
1-inch ANSI CL150 weld neck raised face flange	328	9 1/4 (235)	4 1/4 (108)
1-inch ANSI CL300 weld neck raised face flange	329	9 3/4 (248)	4 7/8 (124)
1-inch ANSI CL600 weld neck raised face flange	330	10 1/4 (260)	4 7/8 (124)
1 1/2-inch ANSI CL600 weld neck raised face flange	331	10 7/8 (276)	6 1/8 (156)
1-inch sanitary fitting (Tri-Clamp compatible)	339	8 3/8 (213)	2 (50)
DN25 PN40 weld neck flange; DIN 2635 type C face	306	8 5/16 (211)	4 1/2 (115)
DN25 PN40 weld neck flange; EN 1092-1 Form B1	179	8 5/16 (211)	4 1/2 (115)
DN25 PN40 weld neck flange; DIN 2635 type N grooved face	307	8 5/16 (211)	4 1/2 (115)
DN25 PN40 weld neck flange; EN 1092-1 Form D	311	8 5/16 (211)	4 1/2 (115)
DN25 PN100 weld neck flange; DIN 2637 type E face	308	9 11/16 (246)	5 1/2 (140)
DN25 PN100 weld neck flange; EN 1092-1 Form B2	180	9 11/16 (246)	5 1/2 (140)
DN25 PN100 weld neck flange; DIN 2637 type N grooved face	309	9 11/16 (246)	5 1/2 (140)
DN25 PN100 weld neck flange; EN 1092-1 Form D	181	9 11/16 (246)	5 1/2 (140)
JIS 25mm 10K weld neck raised face flange	317	8 5/16 (211)	4 15/16 (125)
JIS 25mm 20K weld neck raised face flange	318	8 5/16 (211)	4 15/16 (125)
<i>304L stainless steel sensors</i>			
1-inch ANSI CL150 weld neck raised face flange	415	9 1/4 (235)	4 1/4 (108)
1-inch ANSI CL300 weld neck raised face flange	416	9 3/4 (248)	4 7/8 (124)
DN25 PN40 weld neck flange; DIN 2526 type C face	424	8 9/16 (217)	4 1/2 (115)
DN25 PN40 weld neck flange; EN 1092-1 Form B1	422	8 9/16 (217)	4 1/2 (115)
<i>Nickel alloy sensors</i>			
1-inch ANSI CL150 lap joint flange	530	9 1/4 (235)	4 1/4 (108)
1-inch ANSI CL300 lap joint flange	531	9 3/4 (248)	4 7/8 (124)
DN25 PN40 lap joint flange; DIN 2656 type C face	533	9 9/16 (243)	4 1/2 (115)
DN25 PN40 lap joint flange; EN 1092-1 Form B1	534	9 9/16 (243)	4 1/2 (115)
JIS 25mm 10K lap joint flange	532	9 5/16 (237)	4 15/16 (125)

(1) Fittings listed here are standard options. Other types of fittings are available. The face to face dimensions for any custom fittings ordered using a 998 or 999 fitting code are not represented in this table. It is necessary to confirm face to face dimensions of these fittings at time of ordering. Contact your local Micro Motion representative.

Fitting options *continued*

	Fitting code	Dim. A face-to-face inches (mm)	Dim. B outside diameter inches (mm)
CMF200 fitting options⁽¹⁾			
<i>316L stainless steel sensors</i>			
1 1/2-inch ANSI CL150 weld neck raised face flange	341	22 7/8 (581)	5 (127)
1 1/2-inch ANSI CL300 weld neck raised face flange	342	23 3/8 (594)	6 1/8 (156)
1 1/2-inch ANSI CL600 weld neck raised face flange	343	23 7/8 (606)	6 1/8 (156)
2-inch ANSI CL150 weld neck raised face flange	418	22 7/8 (581)	6 (152)
2-inch ANSI CL300 weld neck raised face flange	419	23 3/8 (594)	6 1/2 (165)
2-inch ANSI CL600 weld neck raised face flange	420	23 5/8 (600)	6 1/2 (165)
1 1/2-inch sanitary fitting (Tri-Clamp compatible) ⁽²⁾	351	21 3/8 (543)	2 (51)
2-inch sanitary fitting (Tri-Clamp compatible) ⁽²⁾	352	21 3/8 (543)	2 1/2 (64)
DN40 PN40 weld neck flange; DIN 2635 type C face	381	21 11/16 (551)	5 15/16 (150)
DN40 PN40 weld neck flange; EN 1092-1 Form B1	368	21 9/16 (547)	5 15/16 (150)
DN40 PN40 weld neck flange; DIN 2635 type N grooved face	383	21 11/16 (551)	5 15/16 (150)
DN40 PN40 weld neck flange; EN 1092-1 Form D	312	21 9/16 (547)	5 15/16 (150)
DN40 PN100 weld neck flange; DIN 2637 type E face	377	23 1/8 (587)	6 11/16 (170)
DN40 PN100 weld neck flange; EN 1092-1 Form B2	363	22 7/8 (580)	6 11/16 (170)
DN40 PN100 weld neck flange; DIN 2637 type N grooved face	379	23 1/8 (587)	6 11/16 (170)
DN40 PN100 weld neck flange; EN 1092-1 Form D	366	22 7/8 (580)	6 11/16 (170)
DN50 PN40 weld neck flange; DIN 2635 type C face	382	21 15/16 (557)	6 1/2 (165)
DN50 PN40 weld neck flange; EN 1092-1 Form B1	369	21 3/4 (553)	6 1/2 (165)
DN50 PN40 weld neck flange; DIN 2635 type N grooved face	384	21 15/16 (557)	6 1/2 (165)
DN50 PN40 weld neck flange; EN 1092-1 Form D	316	21 3/4 (553)	6 1/2 (165)
DN50 PN100 weld neck flange; DIN 2637 type E face	378	23 9/16 (598)	7 11/16 (195)
DN50 PN100 weld neck flange; EN 1092-1 Form B2	365	23 5/16 (593)	7 11/16 (195)
DN50 PN100 weld neck flange; DIN 2637 type N grooved face	380	23 9/16 (598)	7 11/16 (195)
DN50 PN100 weld neck flange; EN 1092-1 Form D	367	23 5/16 (593)	7 11/16 (195)
JIS 40mm 10K weld neck raised face flange	385	21 9/16 (548)	5 1/2 (140)
JIS 40mm 20K weld neck raised face flange	387	21 9/16 (548)	5 1/2 (140)
JIS 50mm 10K weld neck raised face flange	386	21 13/16 (554)	6 1/8 (156)
JIS 50mm 20K weld neck raised face flange	388	21 13/16 (554)	6 1/8 (156)

(1) Fittings listed here are standard options. Other types of fittings are available. The face to face dimensions for any custom fittings ordered using a 998 or 999 fitting code are not represented in this table. It is necessary to confirm face to face dimensions of these fittings at time of ordering. Contact your local Micro Motion representative.

(2) Not available with high-temperature models CMF200A or CMF200B.

Fitting options *continued*

	Fitting code	Dim. A face-to-face inches (mm)	Dim. B outside diameter inches (mm)
CMF200 fitting options⁽¹⁾			
<i>304L stainless steel sensors</i>			
1 1/2-inch ANSI CL150 weld neck raised face flange	441	22 7/8 (581)	5 (127)
1 1/2-inch ANSI CL300 weld neck raised face flange	442	23 3/8 (594)	6 1/8 (156)
2-inch ANSI CL150 weld neck raised face flange	518	22 7/8 (581)	6 (152)
2-inch ANSI CL300 weld neck raised face flange	519	23 1/2 (597)	6 1/2 (165)
DN40 PN40 weld neck flange; DIN 2526 type C face	481	21 11/16 (551)	5 15/16 (150)
DN40 PN40 weld neck flange; EN 1092-1 Form B1	457	21 9/16 (547)	5 15/16 (150)
DN50 PN40 weld neck raised face flange; DIN 2526 type C face	482	21 15/16 (557)	6 1/2 (165)
DN50 PN40 weld neck raised face flange; EN 1092-1 Form B1	458	21 3/4 (553)	6 1/2 (165)
<i>Nickel alloy sensors</i>			
1 1/2-inch ANSI CL150 lap joint flange	540	22 7/8 (581)	5 (127)
1 1/2-inch ANSI CL300 lap joint flange	541	23 3/8 (594)	6 1/8 (156)
2-inch ANSI CL150 lap joint flange	544	22 7/8 (581)	6 (152)
2-inch ANSI CL300 lap joint flange	545	23 3/8 (594)	6 1/2 (165)
DN40 PN40 lap joint flange; DIN 2656 type C face	543	21 11/16 (551)	5 15/16 (150)
DN40 PN40 lap joint flange; EN 1092-1 Form B1	548	21 11/16 (551)	5 15/16 (150)
DN50 PN40 lap joint flange; DIN 2656 type C face	547	21 15/16 (557)	6 1/2 (165)
DN50 PN40 lap joint flange; EN 1092-1 Form B1	549	21 15/16 (557)	6 1/2 (165)
JIS 40mm 10K lap joint flange	542	21 9/16 (548)	5 1/2 (140)
JIS 50mm 10K lap joint flange	546	21 13/16 (554)	6 1/8 (155)

(1) Fittings listed here are standard options. Other types of fittings are available. The face to face dimensions for any custom fittings ordered using a 998 or 999 fitting code are not represented in this table. It is necessary to confirm face to face dimensions of these fittings at time of ordering. Contact your local Micro Motion representative.