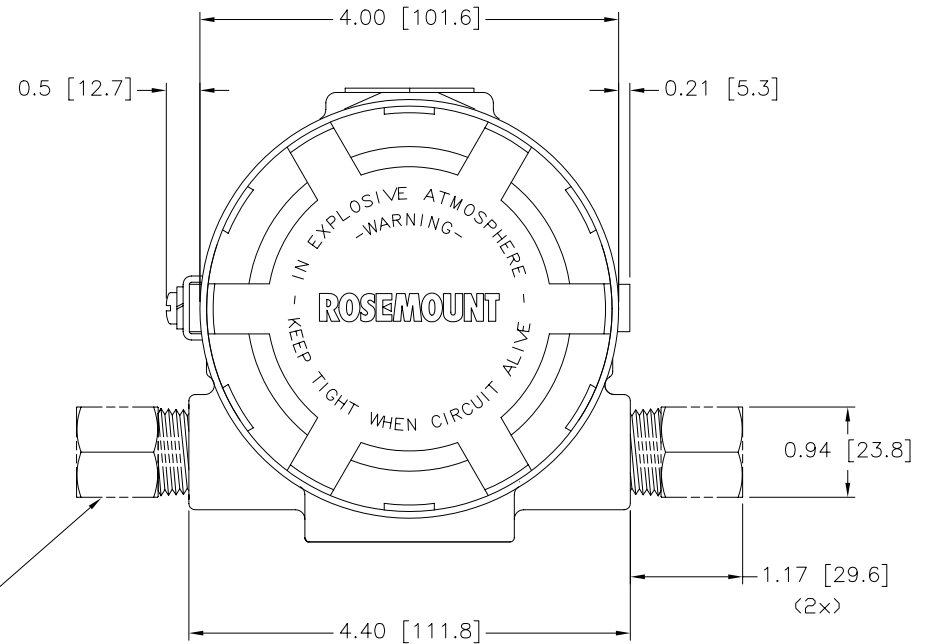
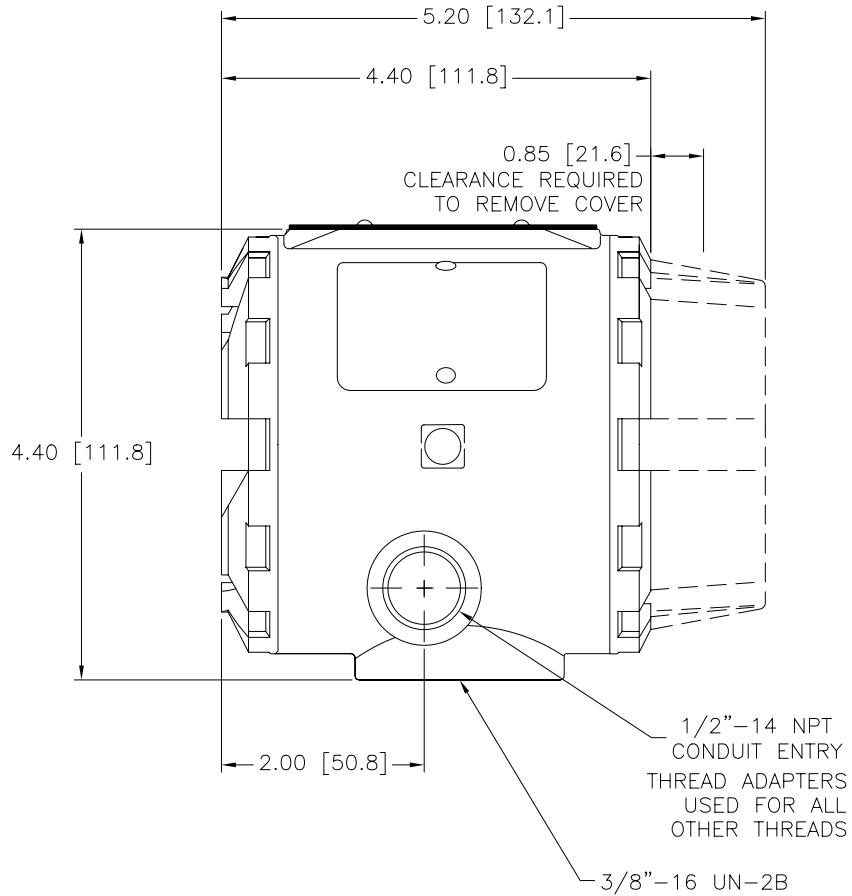


REVISIONS				
REV	DESCRIPTION	CHG.NO.	APP'D	DATE
AB	CLEAN UP DRAWING AND CORRECT VIEWS	RTC1012170	D.B.	12/26/01
AC	CONVERT TO TYPE 1 DRAWING	RTC1014427	D.B.	12/18/02



CONDUIT PLUG PROVIDED FOR UNUSED CONDUIT ENTRY  
MINIMUM 5 THREAD ENGAGEMENT

AUTOCAD MAINTAINED

*UNLESS OTHERWISE SPECIFIED DIMENSIONS IN INCHES (MM)		<b>TYPE 1</b>		<b>ROSEMOUNT®</b>	
*ALL DIMENSIONS ARE NOMINAL AND ARE FOR REFERENCE ONLY		DR. JOHN ARMSTRONG 12/14/01		CHANHASSEN, MINNESOTA	
EMERSON Process Management		APP'D. DRAWING DIRK BAUSCHKE 12/22/02		TITLE MODEL 3144P TEMPERATURE TRANSMITTER	
		APP'D. DRAWING		DRAWING NO. 03144-0111	
		APP'D. TAGGING		SIZE A FSCM.NO. 04274	
		APP'D. SPECIALS		SCALE: NONE   WT. SHEET 1 OF 1	