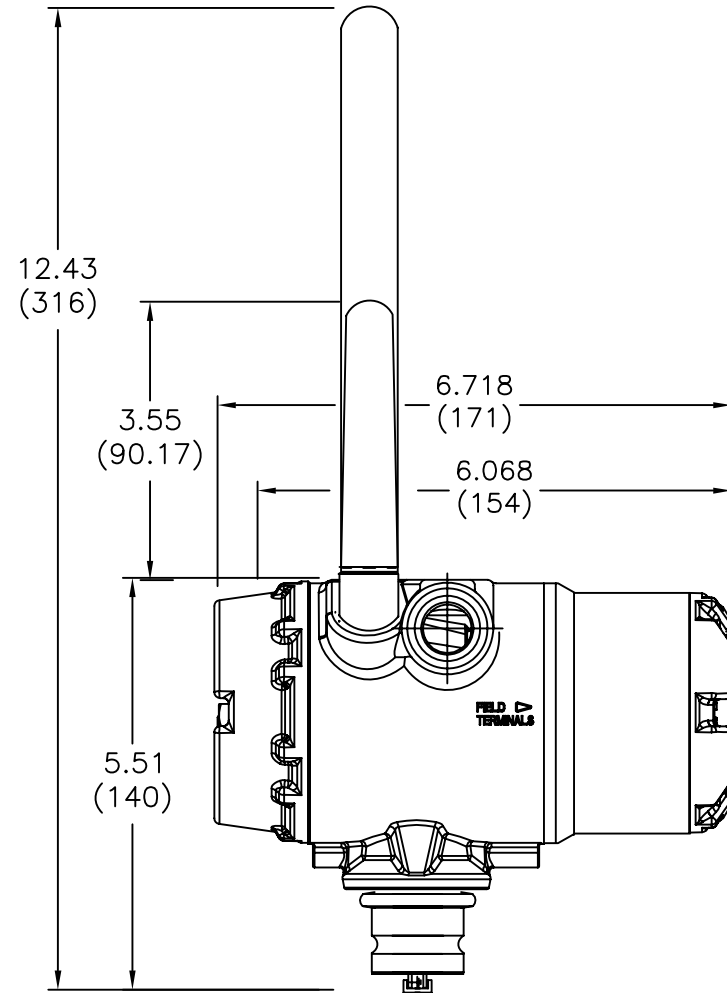
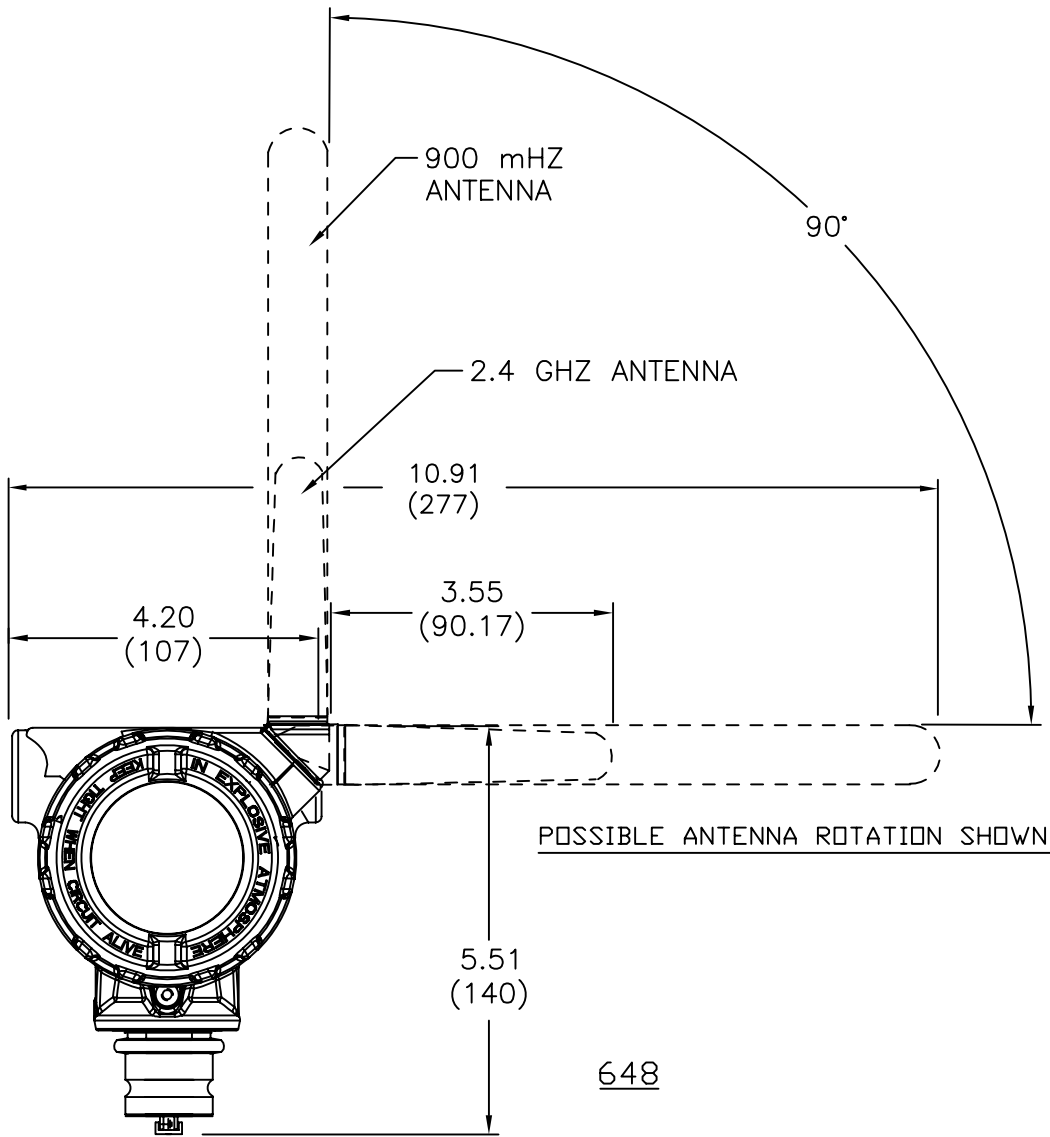



REVISIONS				
REV	DESCRIPTION	CHG.NO.	APP'D	DATE
AA	NEW RELEASE	RTC1023101	CM	12/6/06
AB	ADD 2.4 GHZ	RTC1024372	CM	8/7/07



<p>*UNLESS OTHERWISE SPECIFIED DIMENSIONS IN INCHES (MM)</p> <p>*ALL DIMENSIONS ARE NOMINAL AND ARE FOR REFERENCE ONLY</p> 	TYPE I		<b>ROSEMOUNT®</b> CHANHASSEN, MINNESOTA		
	DR. JOHN ARMSTRONG	4/20/05	TITLE		
	APPROVAL		DIMENSIONAL DRAWING FOR MODEL 648 WIRELESS		
	APP. CHAD MCGUIRE	12/8/06	SIZE A	DRAWING NO. 00648-7000	
	TAGGING		SCALE: NONE		
SPECIALS		SHEET 1 OF 1			