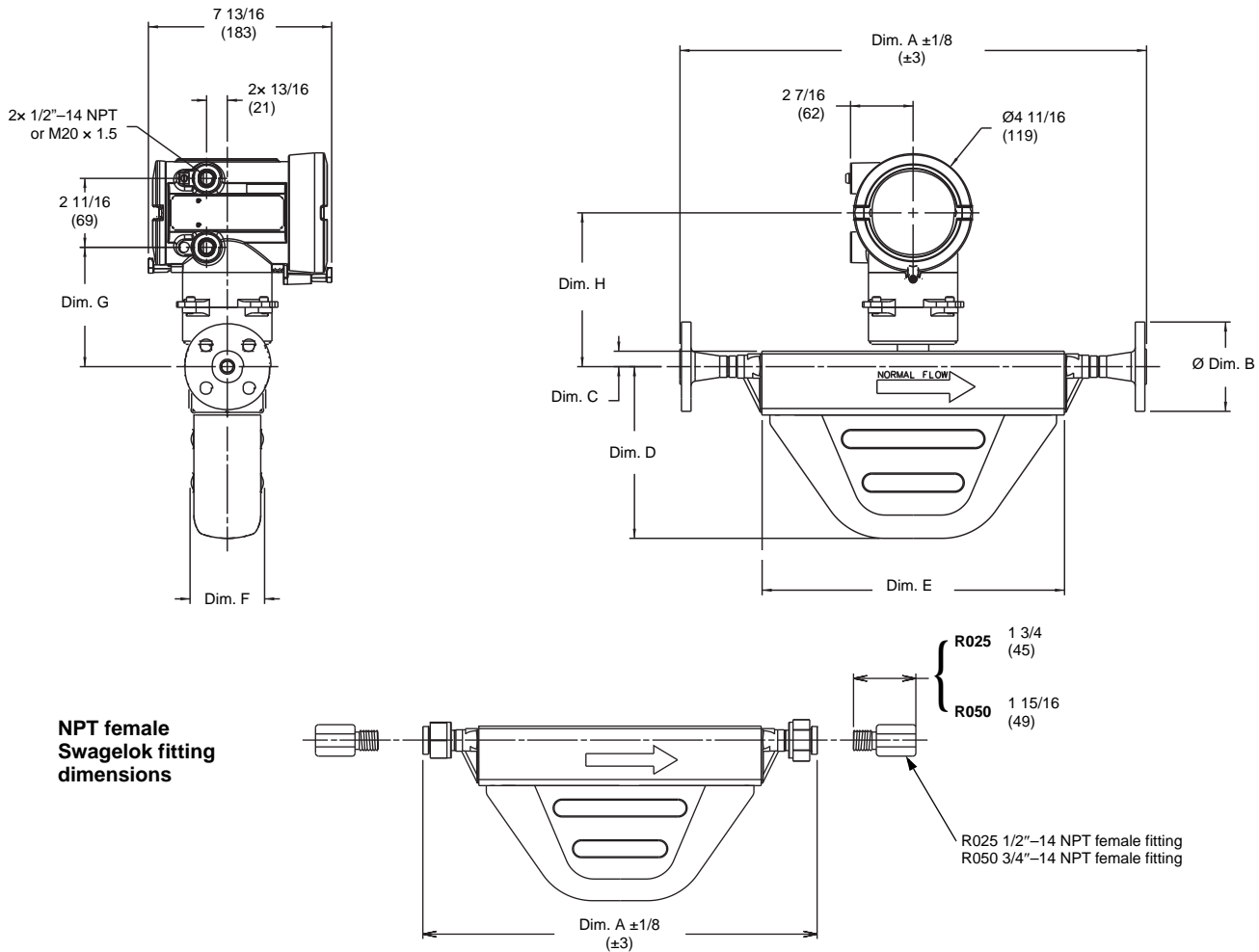


Dimensions

Sensor with integrally mounted Model 1700 transmitter

Dimensions in inches
(mm)



Dimensions⁽¹⁾

Model		RD ⁽²⁾	C	D	E	F	G	H
R025	in (mm)	0.210 (5)	5/8 (15)	5 1/8 (130)	9 3/4 (247)	2 13/16 (72)	4 11/16 (119)	6 (153)
R050	in (mm)	0.345 (9)	5/8 (15)	6 3/4 (171)	11 7/8 (301)	2 15/16 (74)	4 11/16 (119)	6 (153)
R100	in (mm)	0.647 (16)	7/8 (22)	9 1/8 (232)	14 7/8 (378)	4 1/8 (104)	4 15/16 (126)	6 1/4 (159)
R200	in (mm)	1.058 (29)	1 3/4 (44)	12 9/16 (319)	17 7/8 (454)	5 5/8 (144)	5 13/16 (148)	7 3/16 (182)

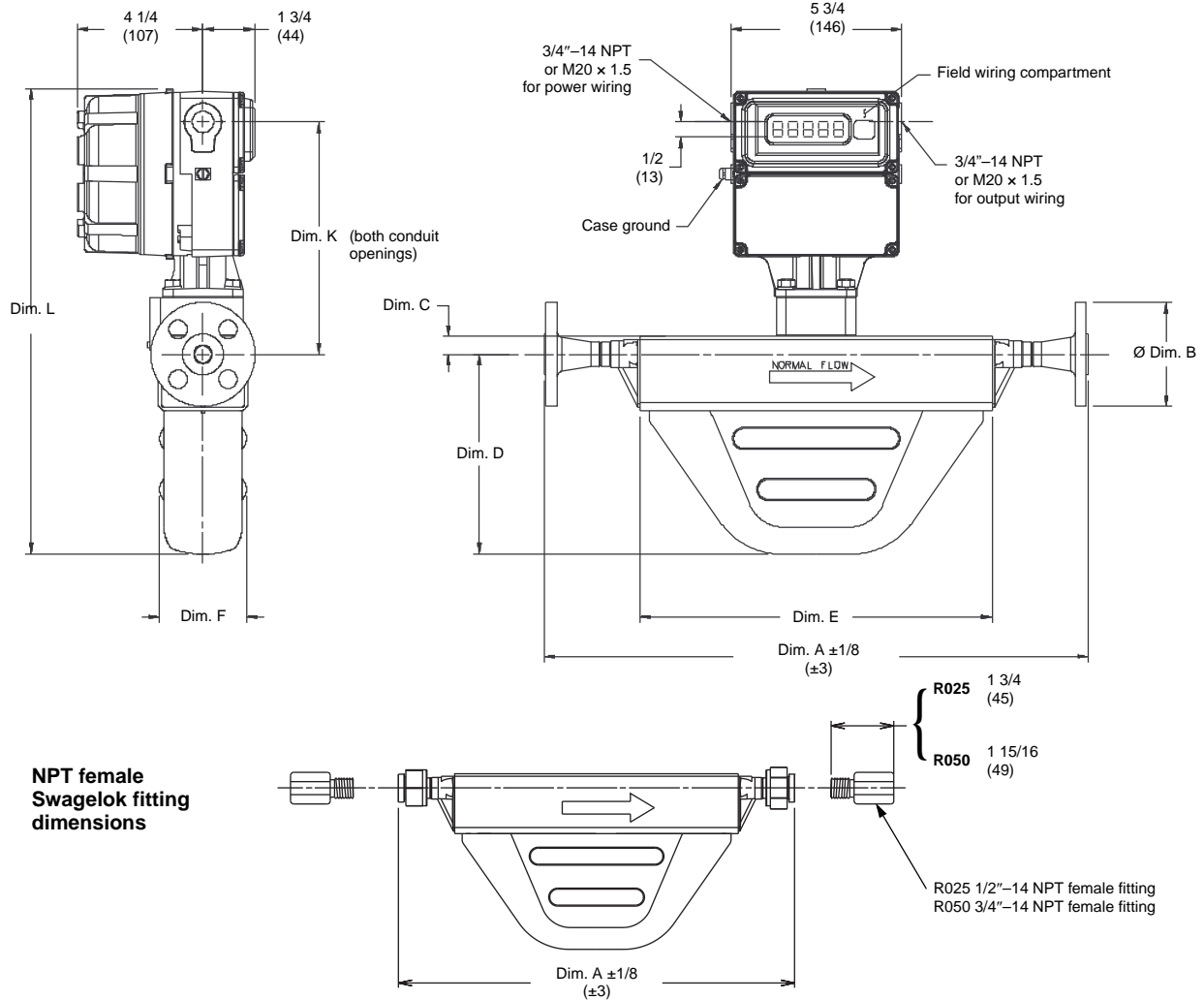
(1) For dimensions A and B, see fittings tables on pages 17–19.

(2) Minimum flow path restriction diameter.

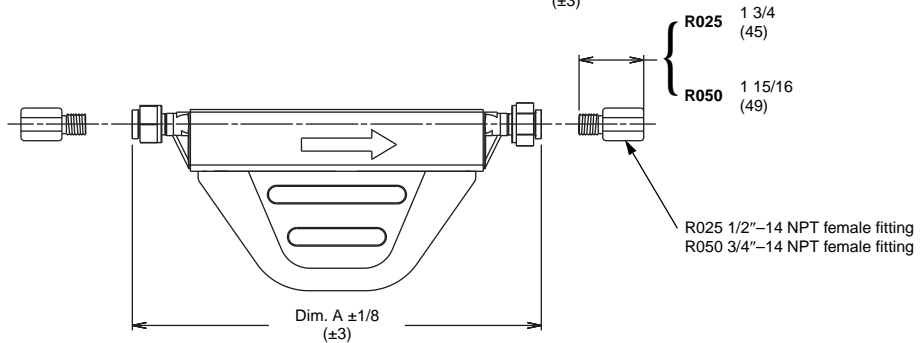
Dimensions *continued*

Sensor with integrally mounted IFT9703 transmitter

Dimensions in inches
(mm)



NPT female Swagelok fitting dimensions



Model	Dimensions ⁽¹⁾							
		RD ⁽²⁾	C	D	E	F	K	L
R025	in (mm)	0.210 (5)	5/8 (15)	5 1/8 (130)	9 3/4 (247)	2 13/16 (72)	7 13/16 (199)	14 1/16 (358)
R050	in (mm)	0.345 (9)	5/8 (15)	6 3/4 (171)	11 7/8 (301)	2 15/16 (74)	7 13/16 (199)	15 11/16 (398)
R100	in (mm)	0.647 (16)	7/8 (22)	9 1/8 (232)	14 7/8 (378)	4 1/8 (104)	8 1/16 (205)	18 5/16 (466)
R200	in (mm)	1.058 (29)	1 3/4 (44)	12 9/16 (319)	17 7/8 (454)	5 5/8 (144)	8 15/16 (228)	22 5/8 (575)

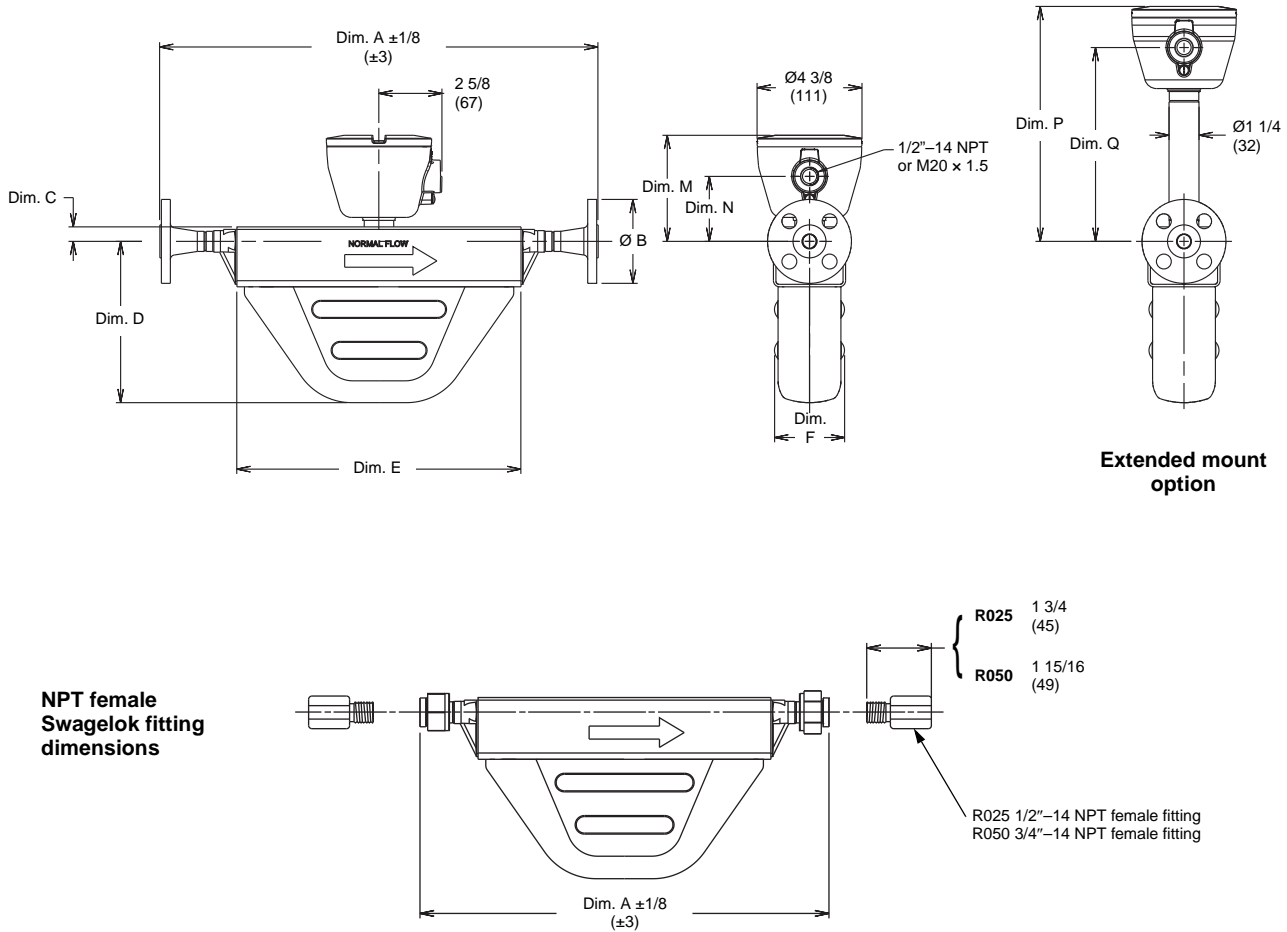
(1) For dimensions A and B, see fittings tables on pages 17–19.

(2) Minimum flow path restriction diameter.

Dimensions *continued*

Sensor with core processor

Dimensions in inches
(mm)



Dimensions⁽¹⁾

Model		RD ⁽²⁾	C	D	E	F	M	N	P	Q
R025	in (mm)	0.210 (5)	5/8 (15)	5 1/8 (130)	9 3/4 (247)	2 13/16 (72)	4 7/16 (112)	2 11/16 (69)	9 13/16 (249)	8 1/16 (205)
R050	in (mm)	0.345 (9)	5/8 (15)	6 3/4 (171)	11 7/8 (301)	2 15/16 (74)	4 7/16 (112)	2 11/16 (69)	9 13/16 (249)	8 1/16 (205)
R100	in (mm)	0.647 (16)	7/8 (22)	9 1/8 (232)	14 7/8 (378)	4 1/8 (104)	4 11/16 (119)	2 15/16 (75)	10 1/16 (255)	8 5/16 (212)
R200	in (mm)	1.058 (29)	1 3/4 (44)	12 9/16 (319)	17 7/8 (454)	5 5/8 (144)	5 9/16 (141)	3 7/8 (98)	10 15/16 (278)	9 1/4 (234)

(1) For dimensions A and B, see fittings tables on pages 17–19.

(2) Minimum flow path restriction diameter.

Fitting options

	Fitting code	Dim. A face-to-face inches (mm)	Dim. B outside diam. inches (mm)
R025S fitting options⁽¹⁾			
1/2-inch ANSI CL150 weld neck raised face flange	113	16 (406)	3 1/2 (89)
1/2-inch ANSI CL300 weld neck raised face flange	114	16 3/8 (416)	3 3/4 (95)
1/2-inch ANSI CL600 weld neck raised face flange	115	16 7/8 (429)	3 3/4 (95)
1/2-inch NPT female Swagelok size 8 VCO fitting	319	14 (356) ⁽²⁾	not applicable
1/2-inch sanitary fitting (Tri-Clamp® compatible)	121	14 (356)	1 (25)
DN15 PN40 weld neck; DIN 2635 type C face	116	15 1/4 (387)	3 3/4 (95)
DN15 PN40 weld neck flange; EN 1092-1 Form B1	176	15 1/4 (387)	3 3/4 (95)
DN15 PN40 weld neck flange; EN 1092-1 Form D	310	15 1/4 (387)	3 3/4 (95)
DN25 PN40 weld neck flange; EN 1092-1 Form B1	172	15 3/8 (400)	4 1/2 (115)
DN25 PN40 weld neck flange; EN 1092-1 Form D	183	15 3/8 (400)	4 1/2 (115)
DN15 PN100/160 weld neck flange; DIN 2638 type E face	120	15 13/16 (401)	4 1/8 (105)
DN15 PN100/160 weld neck flange; EN 1092-1 Form B2	170	15 13/16 (401)	4 1/8 (105)
DN15 PN100 weld neck flange; EN 1092-1 Form D	178	15 13/16 (401)	4 1/8 (105)
15mm DIN 11851 hygienic coupling	222	13 15/16 (353)	Rd 34 × 1/8
JIS 15mm 10K/20K weld neck raised face flange	122	15 7/16 (393)	3 3/4 (95)
JIS 15mm 40K weld neck raised face flange	221	16 1/2 (420)	4 1/2 (115)
R025P fitting options⁽¹⁾			
15mm DIN PN100/160 weld neck, DIN 2638, type E face	120	15 13/16 (401)	4 1/8 (105)
DN15 PN100/160 weld neck flange; EN 1092-1 Form B2	170	15 13/16 (401)	4 1/8 (105)
DN15 PN100 weld neck flange; EN 1092-1 Form D	178	15 13/16 (401)	4 1/8 (105)
DN25 PN100 weld neck flange; EN 1092-1 Form B2	180	16 13/16 (427)	5 7/8 (150)
1/2-inch NPT female Swagelok size 8 VCO fitting	319	14 (356) ⁽²⁾	not applicable

(1) Fittings listed here are standard options. Other types of fittings are available. Contact your local Micro Motion representative.

(2) Dimension specified in table does NOT include fitting length. For installation, modify Dim. A value to include fitting. See pages 14–16.

Fitting options *continued*

	Fitting code	Dim. A face-to-face inches (mm)	Dim B. outside diam. inches (mm)
R050S fitting options⁽¹⁾			
1/2-inch ANSI CL150 weld neck raised face flange	113	18 1/8 (460)	3 1/2 (89)
1/2-inch ANSI CL300 weld neck raised face flange	114	18 1/2 (469)	3 3/4 (95)
1/2-inch ANSI CL600 weld neck raised face flange	115	19 (482)	3 3/4 (95)
3/4-inch NPT female Swagelok size 12 VCO fitting	239	16 3/8 (415) ⁽²⁾	not applicable
3/4-inch sanitary fitting (Tri-Clamp compatible)	322	15 7/8 (403)	1 (25)
DN15 PN40 weld neck flange; DIN 2635 type C face	116	17 3/8 (441)	3 3/4 (95)
DN15 PN40 weld neck flange; EN 1092-1 Form B1	176	17 3/8 (441)	3 3/4 (95)
DN15 PN40 weld neck flange; EN 1092-1 Form D	310	17 3/8 (441)	3 3/4 (95)
DN15 PN100/160 weld neck flange; DIN 2638 type E face	120	17 7/8 (455)	4 1/8 (105)
DN15 PN100/160 weld neck flange; EN 1092-1 Form B2	170	17 7/8 (455)	4 1/8 (105)
DN15 PN100 weld neck flange; EN 1092-1 Form D	178	17 7/8 (455)	4 1/8 (105)
DN25 PN40 weld neck flange; DIN 2635 type C face	131	17 1/2 (444)	4 1/2 (115)
DN25 PN40 weld neck flange; EN 1092-1 Form B1	172	17 1/2 (444)	4 1/2 (115)
DN25 PN40 weld neck flange; EN 1092-1 Form D	183	17 1/2 (444)	4 1/2 (115)
15mm DIN 11851 hygienic coupling	222	16 (407)	Rd 34 × 1/8
JIS 15mm 10K/20K weld neck raised face flange	122	17 9/16 (446)	3 3/4 (95)
JIS 15mm 40K weld neck raised face flange	221	18 5/8 (473)	4 1/2 (115)
R100S fitting options⁽¹⁾			
1-inch ANSI CL150 weld neck raised face flange	128	22 11/16 (576)	4 1/4 (108)
1-inch ANSI CL300 weld neck raised face flange	129	23 3/16 (588)	4 7/8 (124)
1-inch ANSI CL600 weld neck raised face flange	130	23 11/16 (601)	4 7/8 (124)
1-inch sanitary fitting (Tri-Clamp compatible)	138	21 1/4 (540)	2 (50)
DN25 PN40 weld neck flange; DIN 2635 type C face	131	21 7/16 (544)	4 1/2 (115)
DN25 PN100/160 weld neck flange; DIN 2638 type E face	137	22 13/16 (580)	5 1/2 (140)
25mm DIN 11851 hygienic coupling	230	20 9/16 (522)	Rd 52 × 1/6
DN25 PN40 weld neck flange; EN 1092-1 Form B1	179	21 7/16 (545)	4 1/2 (115)
DN25 PN40 weld neck flange; EN 1092-1 Form D	311	21 7/16 (545)	4 1/2 (115)
DN25 PN100 weld neck flange; EN 1092-1 Form B2	180	22 7/8 (581)	5 1/2 (140)
DN25 PN100 weld neck flange; EN 1092-1 Form D	181	22 7/8 (581)	5 1/2 (140)
JIS 25mm 10K/20K weld neck raised face flange	139	21 11/16 (550)	4 15/16 (125)
JIS 25mm 40K weld neck raised face flange	229	22 15/16 (582)	5 1/8 (130)

(1) Fittings listed here are standard options. Other types of fittings are available. Contact your local Micro Motion representative.

(2) Dimension specified in table does NOT include fitting length. For installation, modify Dim. A value to include fitting. See pages 14–16.

Fitting options *continued*

	Fitting code	Dim. A face-to-face inches (mm)	Dim B. outside diam. inches (mm)
R200S fitting options⁽¹⁾			
1 1/2-inch ANSI CL150 weld neck raised face flange	341	24 3/4 (629)	5 (127)
1 1/2-inch ANSI CL300 weld neck raised face flange	342	25 1/4 (642)	6 1/8 (155)
1 1/2-inch ANSI CL600 weld neck raised face flange	343	25 3/4 (654)	6 1/8 (155)
2-inch ANSI CL150 weld neck raised face flange	418	24 7/8 (632)	6 (152)
2-inch ANSI CL300 weld neck raised face flange	419	25 3/8 (645)	6 1/2 (165)
2-inch ANSI CL600 weld neck raised face flange	420	26 1/8 (664)	6 1/2 (165)
1 1/2-inch sanitary fitting (Tri-Clamp compatible)	351	23 1/4 (591)	2 (50)
2-inch sanitary fitting (Tri-Clamp compatible)	352	22 7/8 (581)	2 1/2 (64)
DN40 PN40 weld neck flange; DIN 2635 type C face	381	23 9/16 (598)	5 15/16 (150)
DN50 PN40 weld neck flange; DIN 2635 type C face	382	23 5/8 (600)	6 1/2 (165)
DN50 PN100 weld neck flange; DIN 2637 type E face	378	25 1/4 (641)	7 11/16 (195)
DN40 PN40 weld neck flange; EN 1092-1 Form B1	368	23 1/4 (594)	5 15/16 (150)
DN40 PN40 weld neck flange; EN 1092-1 Form D	312	23 1/4 (594)	5 15/16 (150)
DN40 PN100 weld neck flange; EN 1092-1 Form B2	363	24 3/4 (628)	6 11/16 (170)
DN40 PN100 weld neck flange; EN 1092-1 Form D	366	24 3/4 (628)	6 11/16 (170)
DN50 PN40 weld neck flange; EN 1092-1 Form B1	369	23 5/8 (600)	6 1/2 (165)
DN50 PN40 weld neck flange; EN 1092-1 Form D	316	23 5/8 (600)	6 1/2 (165)
DN50 PN100 weld neck flange; EN 1092-1 Form B2	365	25 1/4 (641)	7 11/16 (195)
DN50 PN100 weld neck flange; EN 1092-1 Form D	367	25 1/4 (641)	7 11/16 (195)
40mm DIN 11851 hygienic coupling	353	23 3/16 (589)	Rd 65 × 1/6
50mm DIN 11851 hygienic coupling	354	23 1/4 (591)	Rd 78 × 1/6
JIS 40mm 10K weld neck raised face flange	385	23 7/16 (595)	5 1/2 (140)
JIS 40mm 20K weld neck raised face flange	387	23 7/16 (595)	5 1/2 (140)
JIS 50mm 10K weld neck raised face flange	386	23 7/16 (595)	6 1/8 (155)
JIS 50mm 20K weld neck raised face flange	388	23 5/8 (600)	6 1/8 (155)
JIS 50mm 40K weld neck raised face flange	389	25 7/16 (646)	6 1/2 (165)

(1) Fittings listed here are standard options. Other types of fittings are available. Contact your local Micro Motion representative.